

Ref: 40.020

**Features:**

- Protection against transient main peaks
- Electrical short-circuit protection
- Overload protection: reversible
- Protection against “no load” operation
- Degree of protection: IP20
- Protection class II
- SELV



Input	Rated input voltage	220V - 240V
	Range of input voltage (VAC)	198V - 264V
	Range of input voltage (VDC)	176V - 250V
	Frequency	0Hz -50Hz - 60Hz
	Power factor	>0.95 (full load), 230V
	Input current max.	0.24max (full load), 230V
	Start-up time	<0.5s
	Unload power consumption	≤0.5W
	Inrush current	20A max. (full load), 230V
	THD	<8 Typ. (full load), 230V
	Leack current	<0.7mA (230V)
Output	Constant Voltage	24V
	Current range	0-1.25A
	Rated power	30W max.
	Voltage accuracy	±5%
	Voltage regulation	±1% (full load)
	Load regulation	±2%
	Hold-up time	1s max. (full load)
	Ripple&noise	≤±2% (full load), 230V
	Output LF current ripple (<120Hz)	≤±1%
Efficiency (typ.)	≥83%	
Protection	Over load protection	105% - 150% (Protection type: auto resume)
	Over voltage protection	>12.6V - >25.2V (Protection type: auto resume)
	Short circuit protection	Protection type: auto resume
	Over temperature protection	Protection type: auto resume
Environment	Operating temperature	-20°C / +45°C
	Tc	90°C
	Storage temperature	-40°C / +60°C
	Life time	>50.000h (full load), 230V, ta=45°C
	Temperature coefficient	±0.03% / °C (0-45°C)
	Humidity	20% - 90% RH
Other	Dimension	261x30x17mm
	Guarantee	5 years



**Assembly and Safety Information**

**Applied standards:**

- EN 61347-1
- EN 61347-2-13
- EN 61547
- EN 61000-3-2
- EN 61000-3-3
- EN 61000-4-2
- EN 61000-4-5
- EN 62384
- EN 62493
- EN 55015

Measurements:

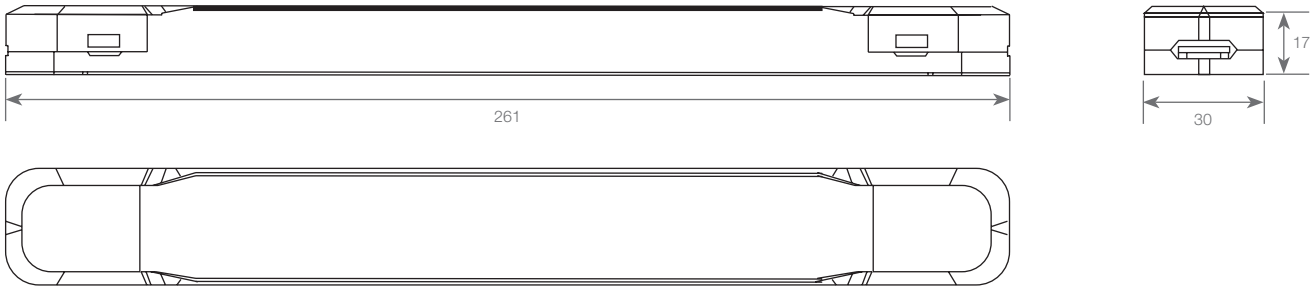
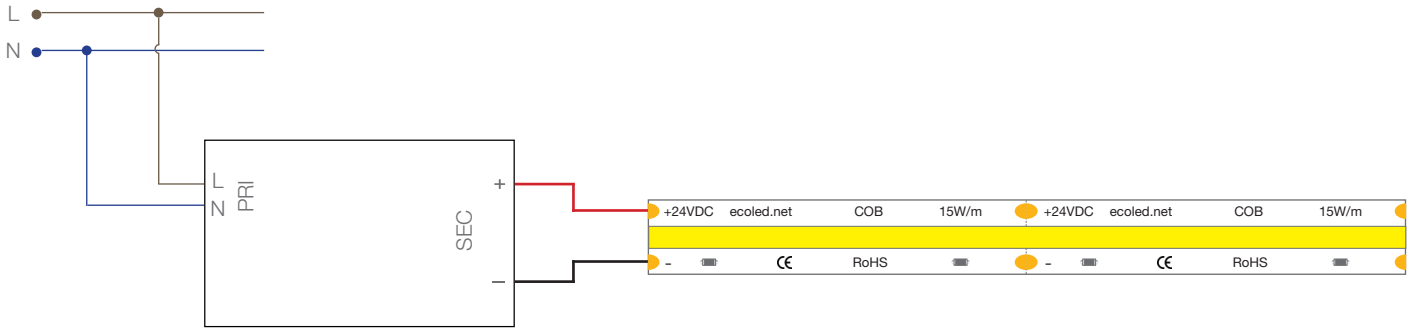
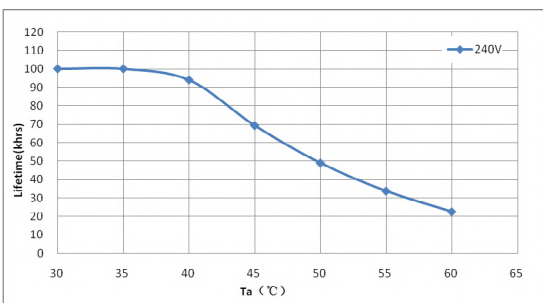


Diagram:

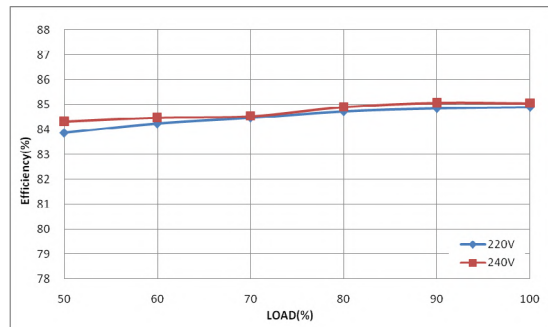


Type performance graphs

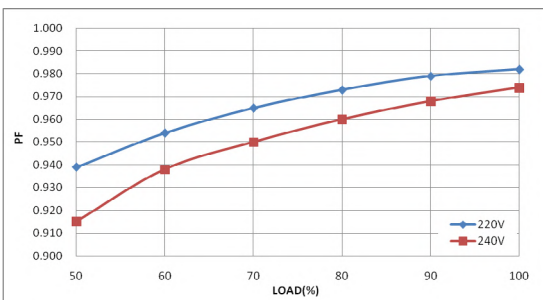
Lifetime vs. Ambient Temperature Curve



Efficiency vs. Load



Power Factor Characteristics



THD vs. Load

